

# **DURABILT**

## **OPERATOR'S MANUAL**

### **DISC MOWER CADDY**

#### **MODEL**

**CC2 & CC2HL**

**CC3 & CC3HL**

**1810 AIRPORT ROAD • POCAHONTAS, AR 72455**

**(870) 892-4501**

DURABILT INDUSTRIES, LLC

Phone: 870-892-4501

# LIMITED WARRANTY

(Effective November 24, 2008)

Durabilt Industries, LLC warrants its products to be free from defects in material or workmanship, under normal intended use, for a period of one year from the date of sale to the original private customer. The term of the warranty for commercial customers including rental operations is 6 months from date of original sale. This warranty is not transferable and is therefore valid only to the original customer or legal entity.

Durabilt Industries, LLC shall not be liable for any incidental or consequential loss or damages (including but not limited to loss of use, loss of profits and damage to the equipment to which the Durabilt unit may be attached) occurring for any reason at any time.

For the warranty to be valid the warranty registration card that you received with your machine must be filled out and on file with Durabilt Industries, LLC prior to any warranty repairs being performed. The warranty registration card must be filled out and mailed to Durabilt Industries, LLC within 30 days of purchase.

The Durabilt Industries, LLC limited warranty covers parts and labor for authorized repairs. All warranty repairs must be authorized by Durabilt Industries prior to the work being started. Call your dealer to schedule warranty repairs. Your dealer must request a warranty repair authorization number. This number must be provided on all warranty claims for them to be considered for reimbursement. In no event shall Durabilt's liability exceed the purchase price of the unit.

The Limited Warranty is void if the product has been altered or modified in any way. Improper use, poor maintenance, abuse, accidental damage, alteration or removal of the serial number tag among other things or actions will void the limited warranty. This limited warranty does not cover wear items such as blades, hoses, tires, chains, couplers, etc. Depreciation due to normal wear is excluded from warranty.

Only parts received from Durabilt Industries will be considered for reimbursement. Durabilt Industries, LLC reserves the right to alter, update, or improve its products at any time without incurring any obligation to past customers.

For future reference, please record your product information below. This is especially helpful when ordering parts or contacting your dealer for repairs.

Model No: \_\_\_\_\_

Serial No: \_\_\_\_\_

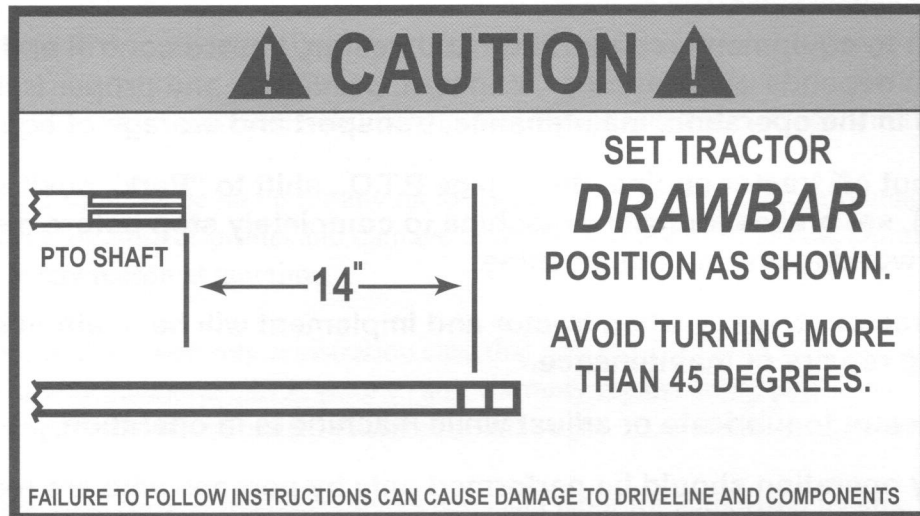
Purchase Date: \_\_\_\_\_

# **PLEASE READ AND FOLLOW ALL SAFETY INFORMATION**

- In addition to equipment configuration and design, hazard control and accident prevention depends on awareness, concern, prudence, and proper training of personnel in the operation, maintenance, transport and storage of equipment.
- Always shut off tractor engine, disengage P.T.O., shift to “Park” position (or shift to neutral), set brakes and allow machine to completely stop before dismounting tractor or working around the machine.
- Remove tractor start key when tractor and implement will be unattended or while performing repairs or maintenance.
- Do not attempt to lubricate or adjust while machine is in operation.
- Machinery operation should be performed only by persons who are responsible and delegated to do so.
- Wear personal protective equipment (PPE) such as, but not limited to, protection for eyes, lungs, ears, heads, hands and feet when operating, servicing or repairing equipment.
- Be sure bystanders are clear before operating tractor or implement.
- Do not leave tractor or implement unattended with tractor engine running.
- Never attempt to operate the implement unless sitting in the drivers seat.
- Keep all guards and shields in place when machine is in operation.
- Do not stand between tractor and implement to install hitch pin when tractor engine is running.
- Regulate ground speed to field conditions, and maintain control at all times.
- Detach and store implement where children do not normally play. Always block the wheels.
- Do not allow children to ride, play on, or operate equipment. Always keep children away from equipment operating, servicing, and storage areas.
- Be sure tractor is in safe operating condition and has adequate braking capabilities.
- Tractor should be equipped with rollover protective (ROPS), and a seatbelt. Use the seatbelt during operation.
- Avoid wearing loose-fitting clothing and tie up long hair that can be caught in moving parts.

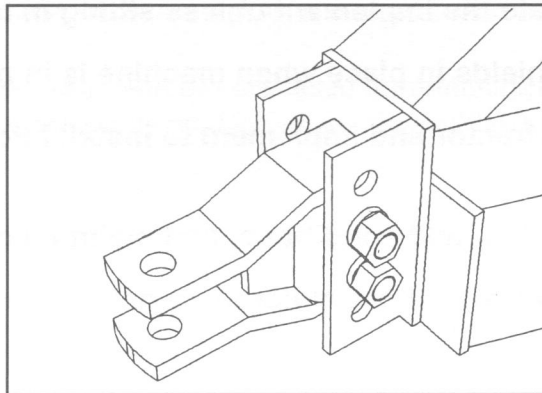
# SET UP INTRUCTIONS

## DRAWBAR...



The tractor's drawbar must be set at a distance of 14" from the end of the PTO shaft to the center of the drawbar pin hole. This distance is standard for 540 PTO drives and will maintain a proper relationship for driveline angles and help improve the life of the driveline.

## CADDY HITCH...



The hitch is designed to give 3 height positions. The hitch must be set to the proper hitch height to keep the CADDY parallel with the ground.

Attach the caddy to the tractor.

## TOP LINK...

When installing the Caddy's *TOP LINK*, keep the same amount of threads showing on each end. This will let you use the *TOP LINK*'s full adjustment.

# PTO SHAFT...

## 1. Attaching the PTO shaft (driveline).

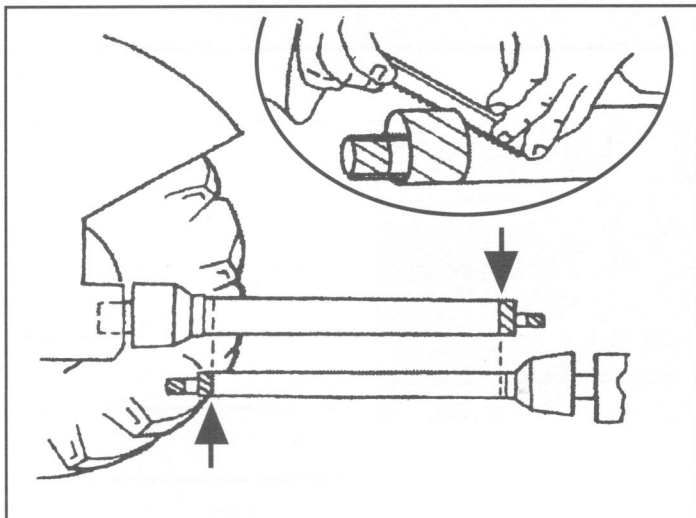
At this time, you must check for proper driveline length. Due to variations in tractors and implements, drivelines may need to be adjusted in length.

**A.** Separate the two halves of the driveline, and connect one half to the tractor and the other half to the caddy.

**B.** Turn the tractor to determine the shortest positions of the driveline. There should be at least 1 1/2" or more clearance from the tubes bottoming out at this maximum compression length. If necessary, shorten the driveline to obtain proper clearance.

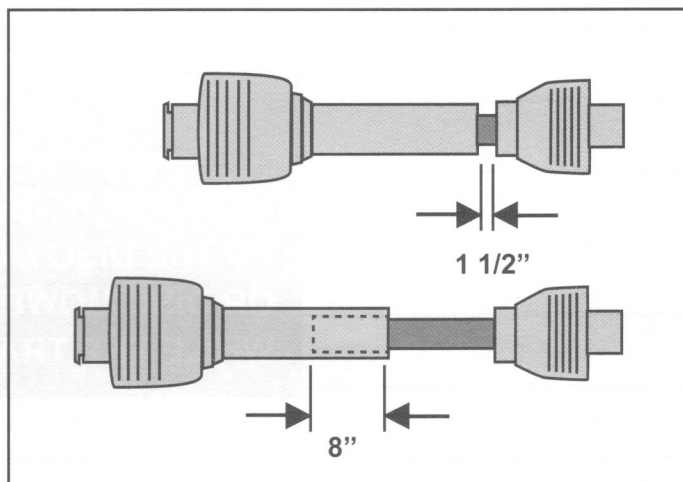
**C.** Turn the tractor and mower caddy into a straight line to determine the longest position required of the driveline. Check the driveline length at this maximum extension to make sure the metal tubes are always engaged at least 8 inches.

**D.** After completion of steps A, B, & C, assemble driveline.



**CAUTION:** Do not shorten more than necessary. Shorten the metal tubes and guards by the same amount and round off all sharp edges. Grease the metal tubes before assembly.

2. Check tires for correct tire pressures as indicated by the manufacturer.  
(Refer to the sidewall of disc mower's tires.)
3. When installing the disc mower to the mower caddy, follow the guidelines that are furnished by the disc mower's manufacturer with each individual disc mower.
4. When using a mower caddy with hydraulic lift, use cylinder stops on the cylinder to maintain bottom position. (working position)



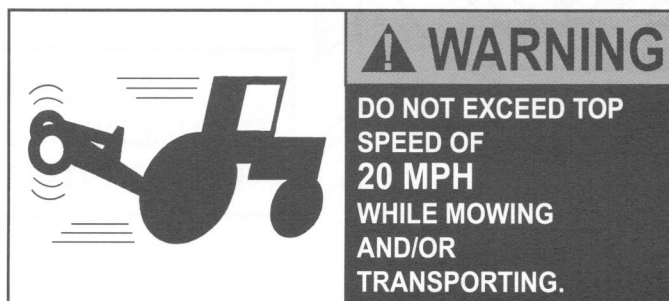
**CAUTION:**  
DRIVELINE MUST NOT "BOTTOM"  
OUT OR DAMAGE WILL OCCUR

**GREASE DRIVELINES (2)**  
**DAILY**

If not properly greased, severe damage will occur to drivelines and attaching components.  
(Bearings, etc.)

# OPERATION

1. Follow the disc mower's instructions for general operation of the disc mower.
2. After the first few hours of operation, check all bolts, drivelines, **locking collar on mower caddy driveline** and all parts related to the mower's safe operation.
3. Always place the disc mower **in the working position** before disconnecting from the tractor.



# WARNING

- NEVER USE A SPLINE ADAPTER.
- MATCH THE RIGHT TRACTOR PTO SPLINE AND SPEED WITH THE PTO DRIVESHAFT PROVIDED WITH THE IMPLEMENT. THIS WILL ASSURE PROPER GEOMETRY AND OPERATING SPEED.
- NEVER OPERATE 540 RPM IMPLEMENTS AT 1000RPM.
- OPERATE THE CUTTER CADDY AT 540 RPM ONLY.
- USE OF ADAPTERS WILL VOID WARRANTY DUE TO DAMAGE CAUSED TO THE TRACTOR PTO, PTO DRIVESHAFT OR IMPLEMENT.

# MODEL REQUIREMENTS

## Hydraulic Lift Models

BUSH HOG  
DEERE  
GEHL  
KUHN  
LAND PRIDE  
FELLA  
M&W  
TONUTI  
+ OTHERS

## Fixed Mount Models

CASE  
CAT  
CLAAS  
FORTE  
HESSTON  
KRONE  
LELY  
NEW HOLLAND  
NEW IDEA  
RHINO  
VERMEER  
VICON  
+ OTHERS

*Manufacturers Of Quality Farm Equipment*



MADE IN AMERICA

**DURABILT INDUSTRIES, LLC**  
1810 Airport Road - Pocahontas, AR. 72455

*TEL: 870-892-4501*

*FAX: 870-892-0729*

*Email: [info@durabiltindustries.com](mailto:info@durabiltindustries.com)*